

* All images in this datasheet are for illustrative purposes only.

LG MAGNIT

Micro LED True Innovation



Deep Black



Vibrant Colors



Wide Viewing Angle



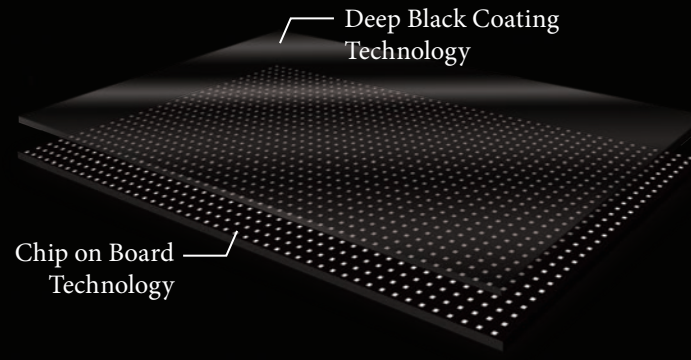
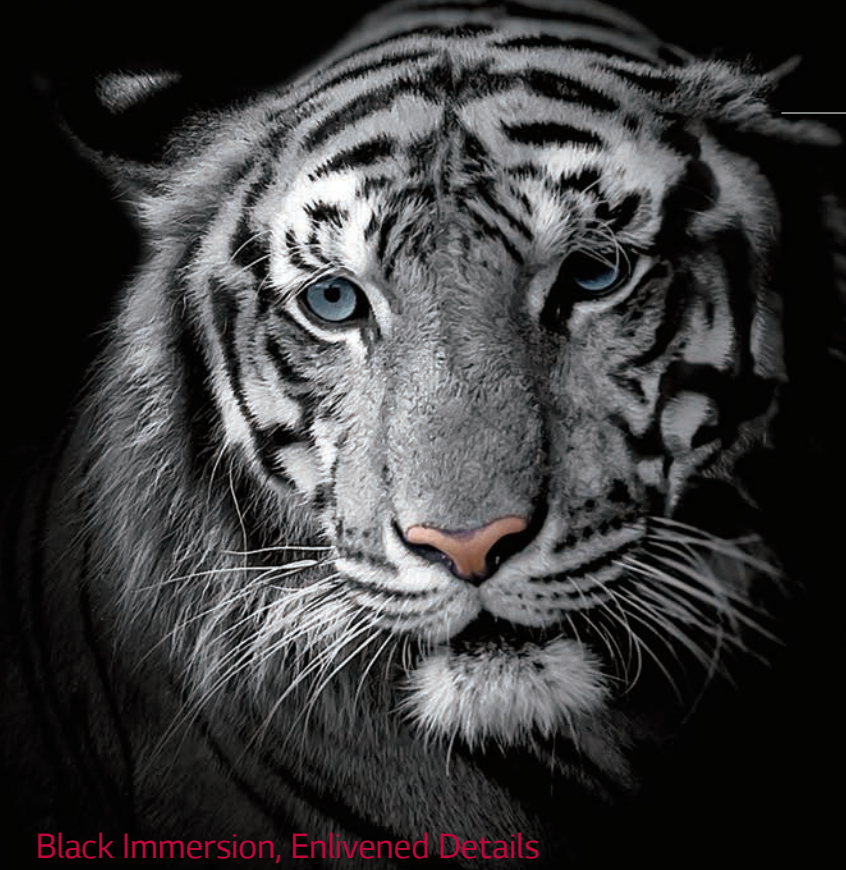
Intelligent Processor



Cable-Less Concept



High Reliability



Black Immersion, Enlivened Details

By removing a package surrounding R, G, B LED chips and applying LG's own Full Black Coating technology, the LG MAGNIT surprisingly delivers much deeper black than the conventional package LED signage*. This not only enhances color vividness, but also makes the details which were hidden in the shadows appear, providing audiences a sense of immersion.

* Based on LG's conventional LED Signage

LG Conventional LED Signage

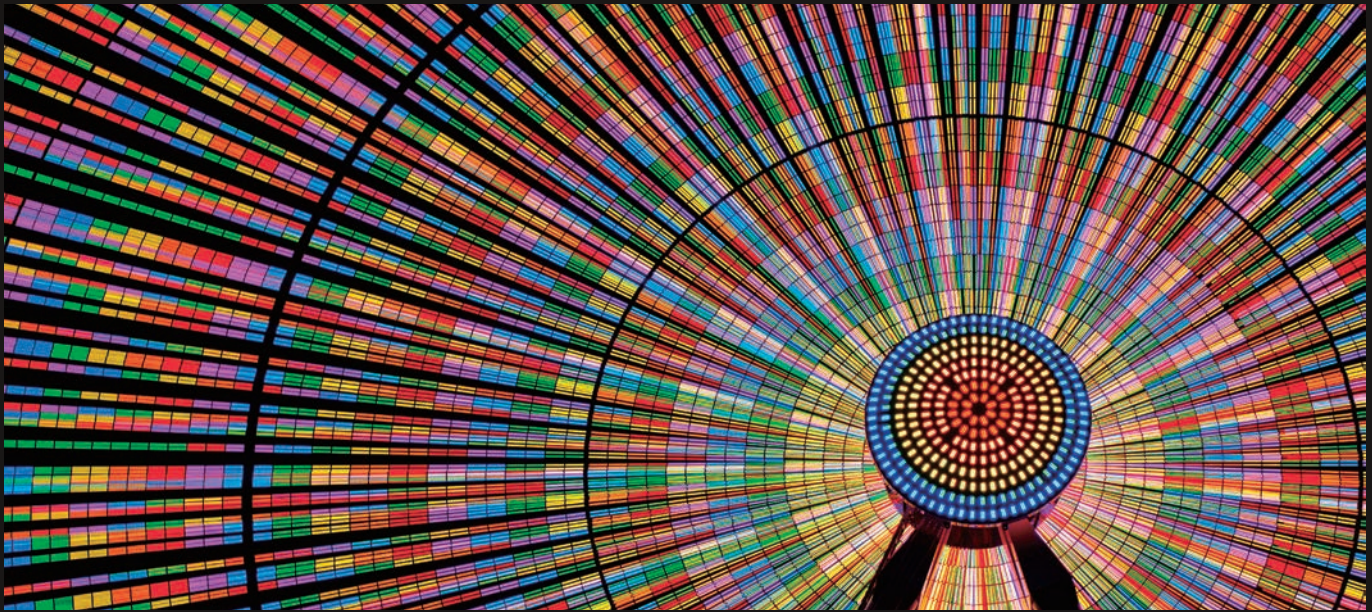


LG MAGNIT



Stronger Light and Shadow

The solid black LG MAGNIT results in high contrast ratio which is vital to quality images and distinctive content.



View Colors as Intended

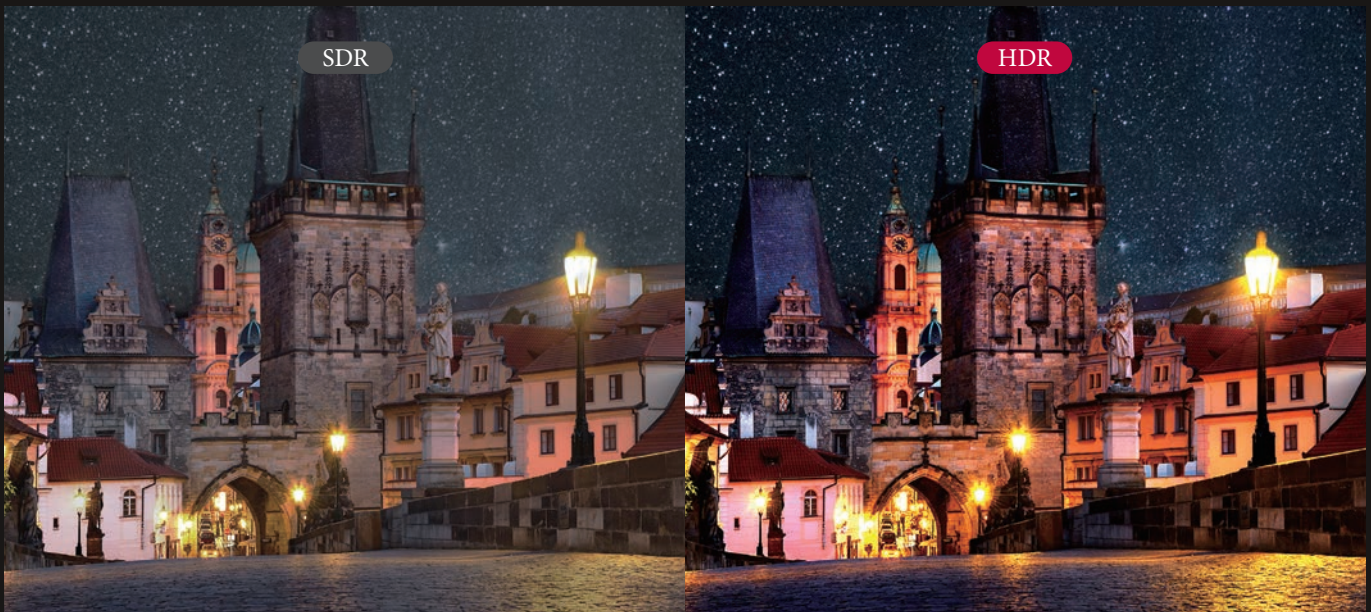
MAGNIT's carefully-selected micro LED chip has a narrowed wavelength that allows it to show uniform colors across the screen. Furthermore, the enhanced Gamut Transfer technology supports it to describe colors close to the original color, which is essential for places where exact color representation is demanding.



Alpha 7 Intelligent Processor

Intelligent Image Processor

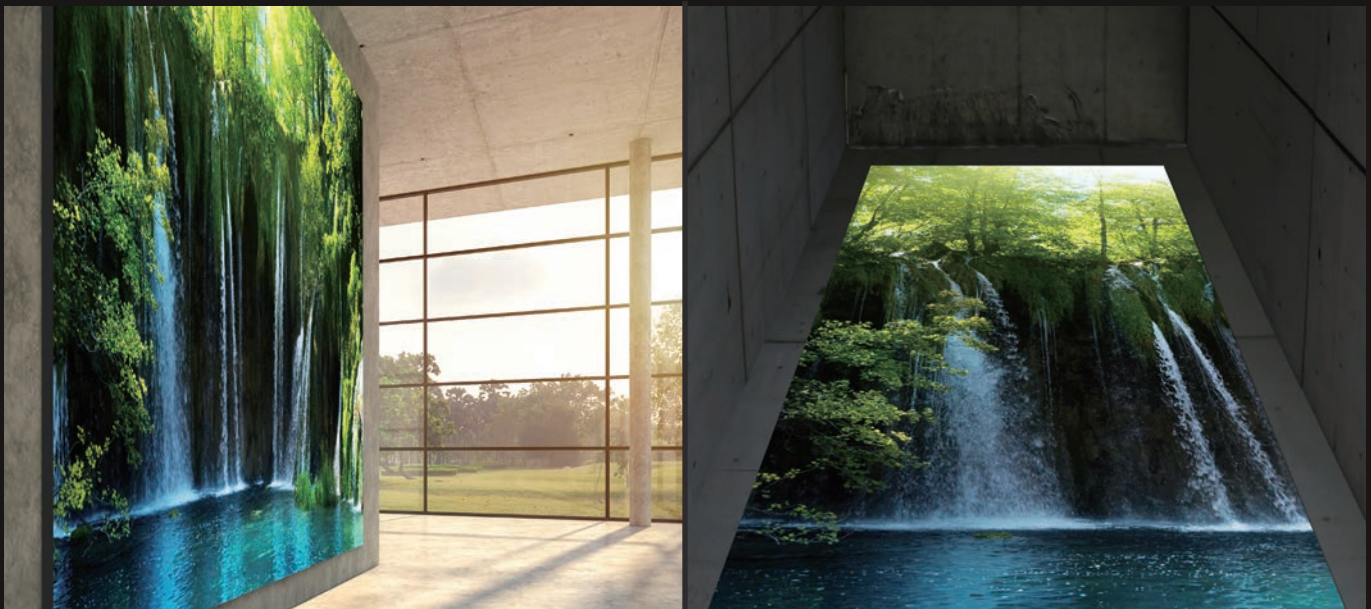
The Alpha 7 Intelligent Processor adopts deep learning AI capability from LG's TV technology to analyze and recognize incoming content and optimize image clarity and sharpness.



Vivid Color Expression Powered by HDR

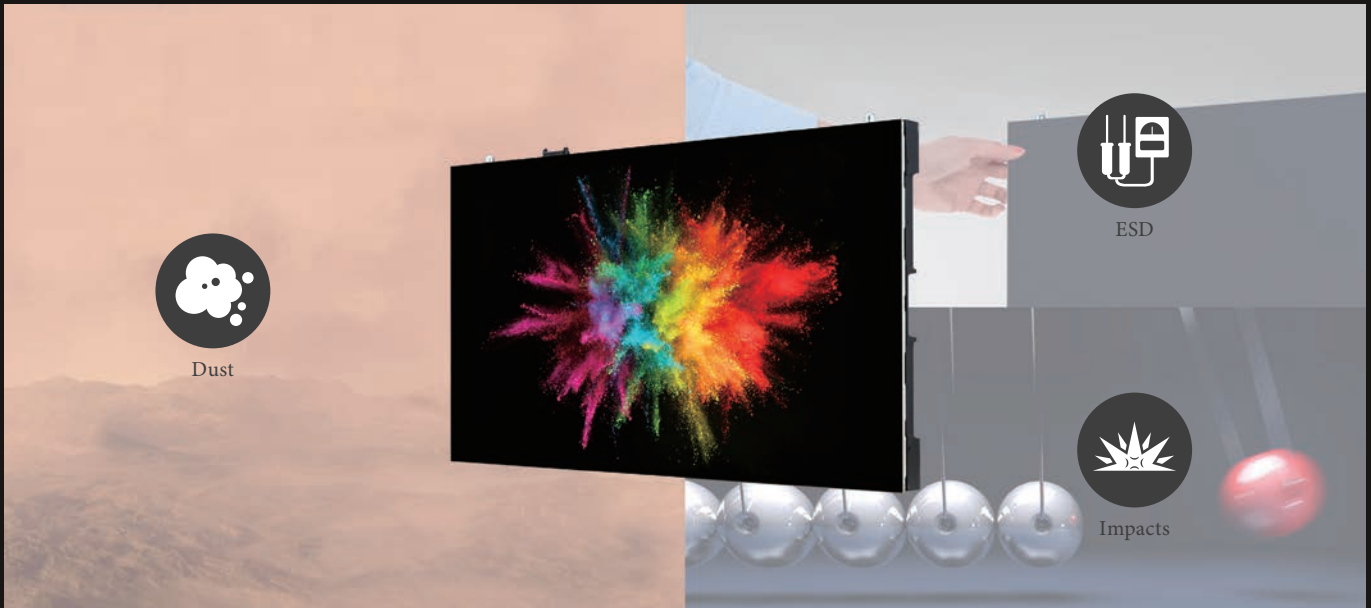
With HDR (HDR10, HDR10 Pro*) support, content becomes vivid with great visual impact. The wider color spectrum and greater contrast ratio allow viewers to fully enjoy lively content.

* HDR10 Pro is LG's own HDR solution to process HDR signal by using enhanced dynamic tone mapping.



Wide Color Viewing Angle

Thanks to the structure of LG MAGNIT, it minimizes color distortion according to the viewing angle. The original color can be appreciated even from the side angles, captivating various pedestrians even if it is installed in a large public places.



Confidence with LG's Sturdy Design

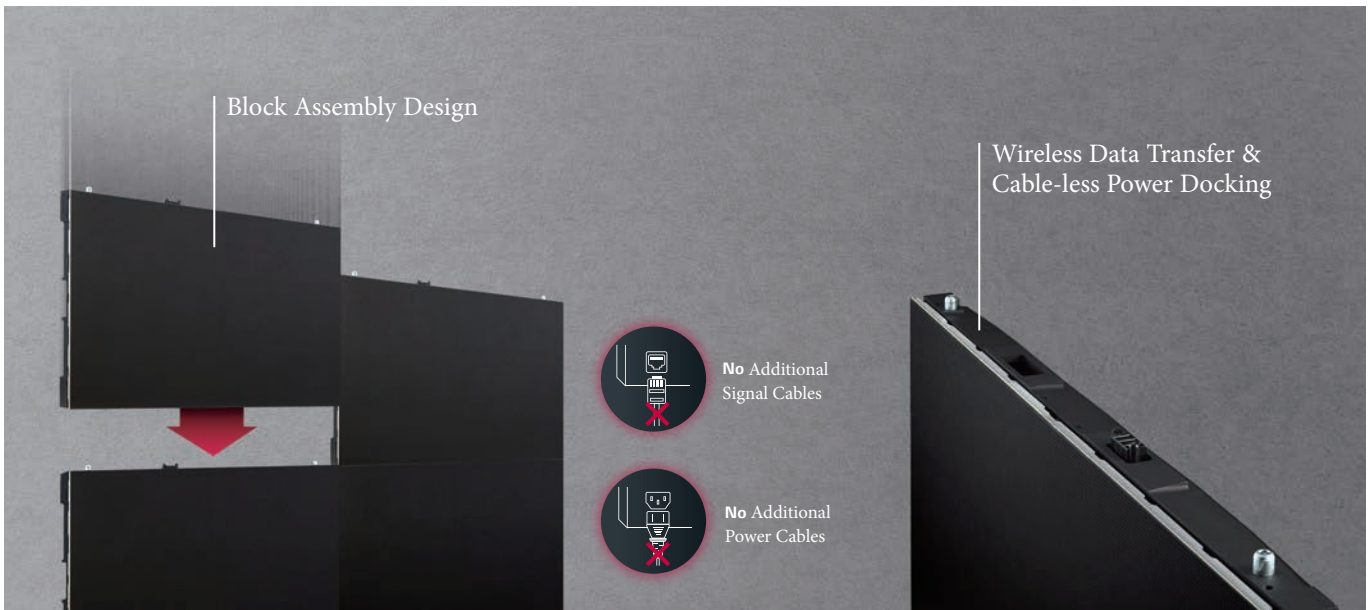
Through several layers of coated film, LG MAGNIT can protect its LED chips from risks caused by dust, static electricity or physical impacts. Considering that it is usually installed in public places where many people come and go, its stability is vitally important to minimize unforeseen accidents.*

* Based on in-house testing in accordance with the certification criteria, or under actual operating conditions.



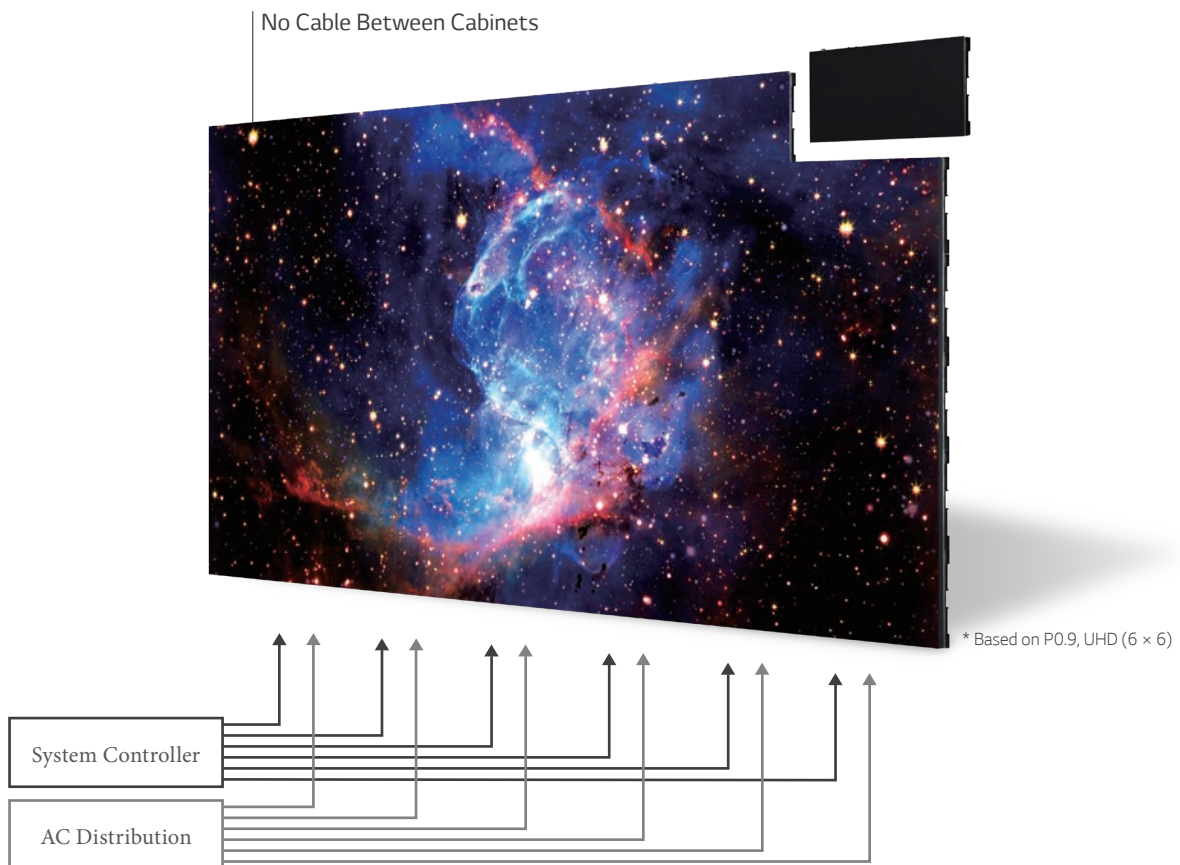
Sleek Look with Smooth Surface

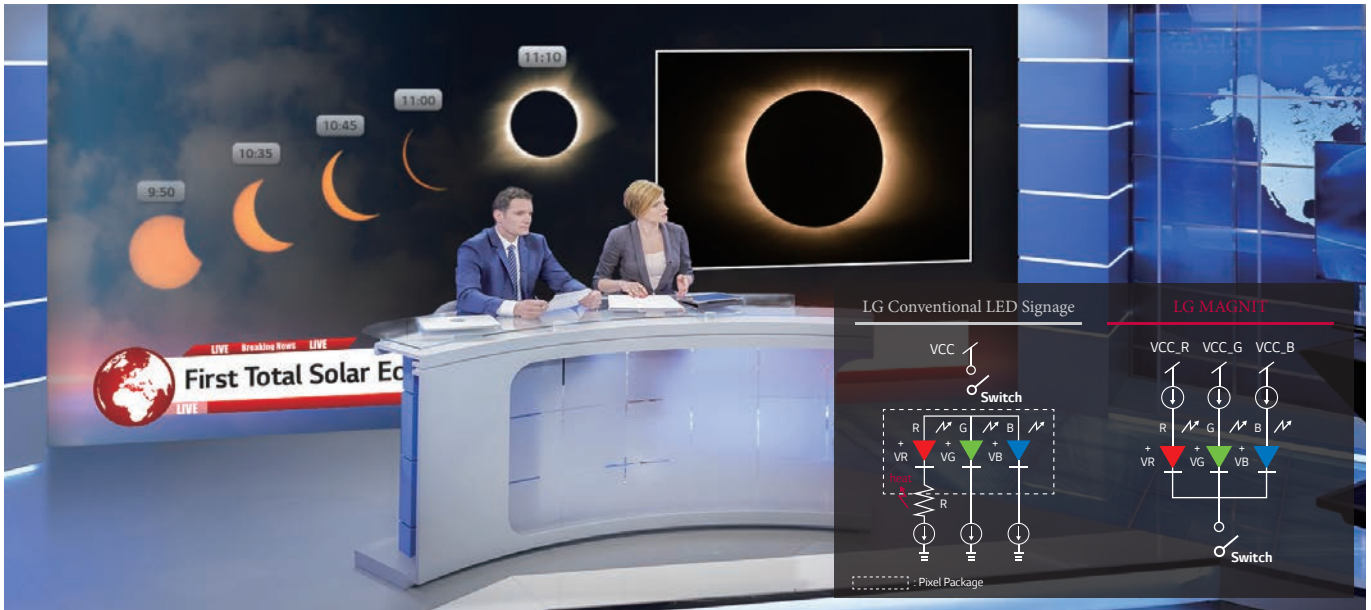
The screen surface of LG MAGNIT is very smooth making it attractive even when the screen is off. If fingerprints are on the surface, they can be simply removed by wiping with a soft cloth without the need for any chemicals.



Cable-less Design for Simple Installation

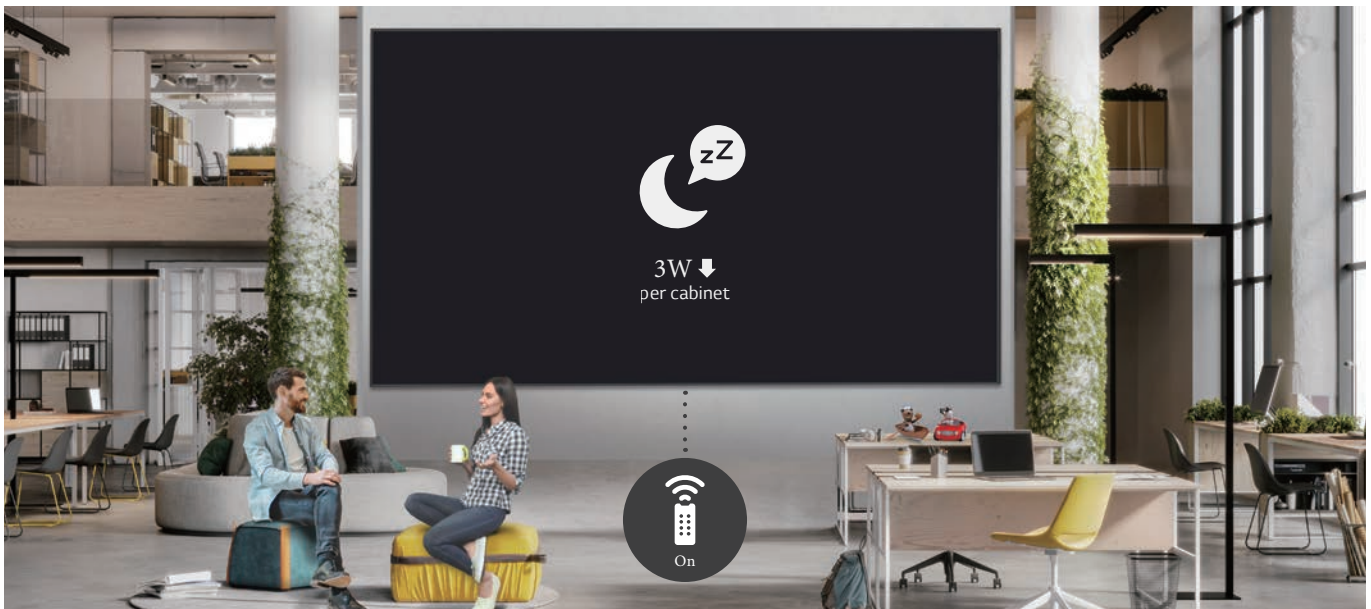
LG MAGNIT uses an innovative broadband wireless transmission for signals between cabinets and a clip-together power delivery system that eliminates the need for cables between the cabinets. When configuring an Ultra HD screen with 16:9 aspect ratio, only 6 signal cables and 6 power cables are needed for the entire assembly to connect all the cabinets to the controller. This facilitates hassle-free installation and simplifies the rear structure of the screen.





Efficient Power Consumption by Colors

Common Cathode Drive-IC is one of the reasons why LG MAGNIT has low power consumption. It supplies the correct voltage to each R, G, B sub-pixel individually to minimize unnecessary power consumption.



Power Saving Standby Mode

When there is no input signal for a period of time, the screen turns off and the main circuits inside the LED cabinet enter a standby mode. This saves additional power and enables the product to be reactivated simply by using a remote control.



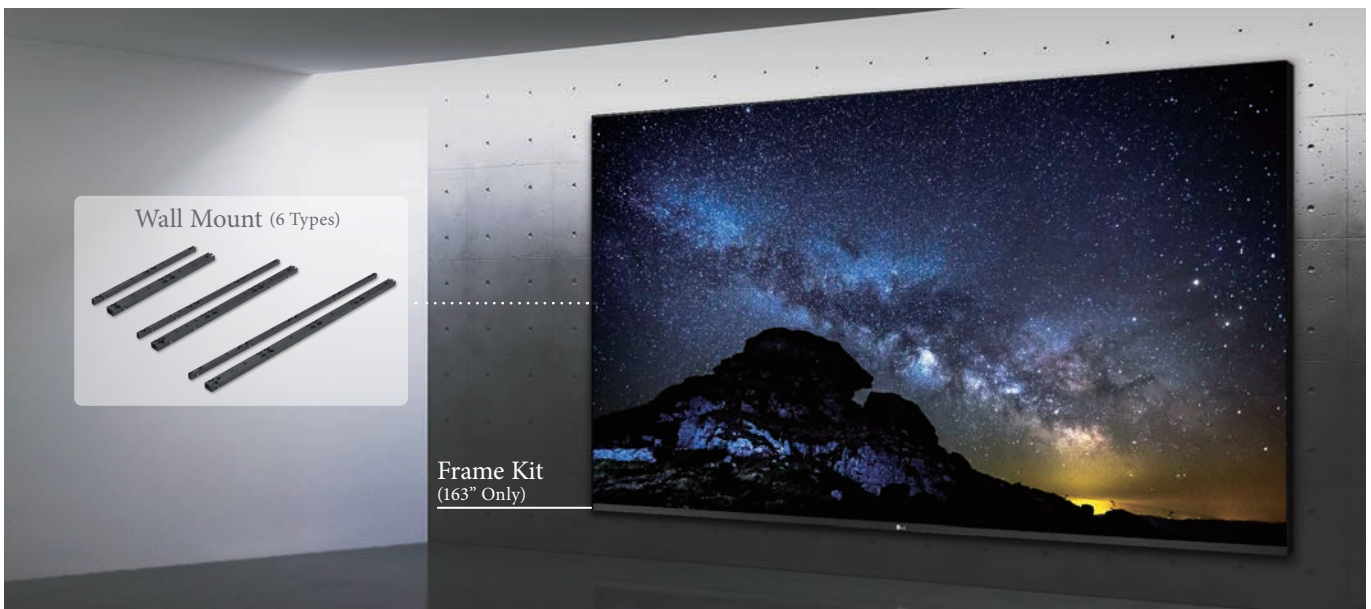
Intuitive Interface with Remote Control

For screens over 1280 x 720 resolution, LG's webOS- OSD offers a familiar look and feel for virtually anyone who has used LG Digital signage products and the handheld remote control before.



Compatibility with AV Control Systems

LG MAGNIT has been certified Crestron Connected® for a higher level of compatibility with professional AV controls to achieve seamless integration and network-based control.



Dedicated Accessories

Three pairs of wall mount accessories and a frame kit are provided as options for LG MAGNIT. The wall mounts can be combined with any screen size to be installed clearly and neatly. Also, when building a 163-inch screen, Ultra HD resolution, the frame kit will make the display have a smooth edge.



Total Content Management

LG MAGNIT is compatible with LG's SuperSign CMS solution which is all-in-one content management solution for content editing, scheduling and distribution. Managers can operate LG's commercial displays including LG MAGNIT all at once, enabling systematic and efficient management.

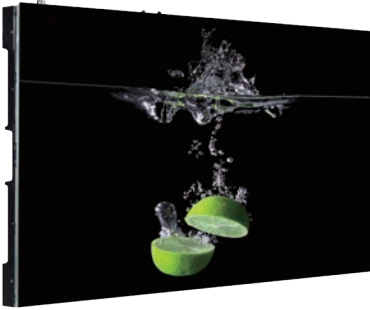


Real-time ConnectedCare Service

Maintenance is easy and fast with the optional ConnectedCare* service, a cloud service solution provided by LG. It remotely manages the status of displays in client workplaces for fault diagnosis and remote-control services, enabling the stable operation of clients' businesses.

* ConnectedCare is the brand name of LG Signage365Care Service. The availability differs by region.

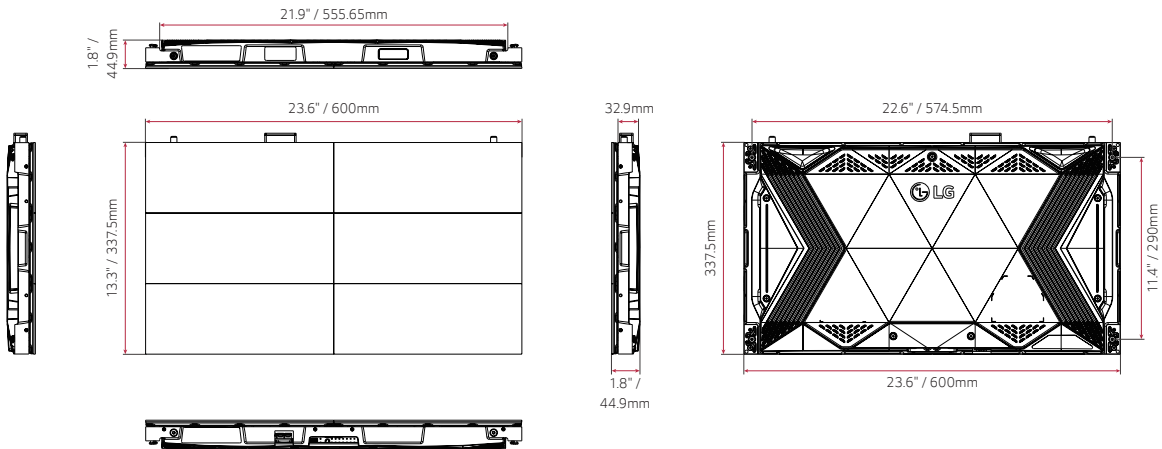
PRODUCT INFORMATION



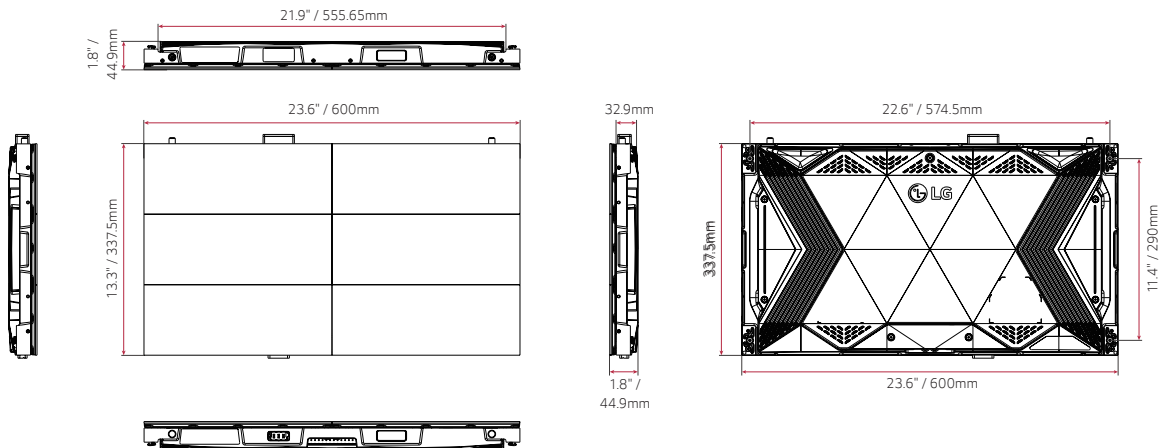
Cabinet	LSAB007	LSAB009	LSAB012
Pixel Configuration	COB	COB	COB
Pixel Pitch	0.78 mm	0.94 mm	1.25 mm
Max Brightness After Calibration	500 nits / Peak 1,000 nits	600 nits / Peak 1,200 nits	800 nits / Peak 1,600 nits
Contrast Ratio	150,000:1 @10lux	100,000:1 @10lux	150,000:1 @10lux
Processing Depth	20 bit (HDR10, HDR10 Pro)	20 bit (HDR10, HDR10 Pro)	20 bit (HDR10, HDR10 Pro)
Visual Viewing Angle (H x V)	160° x 160°	160° x 160°	160° x 160°
IP rating (Front / Rear)	IP50 / IP20	IP50 / IP20	IP50 / IP20

DIMENSIONS

LSAB MAIN CABINET



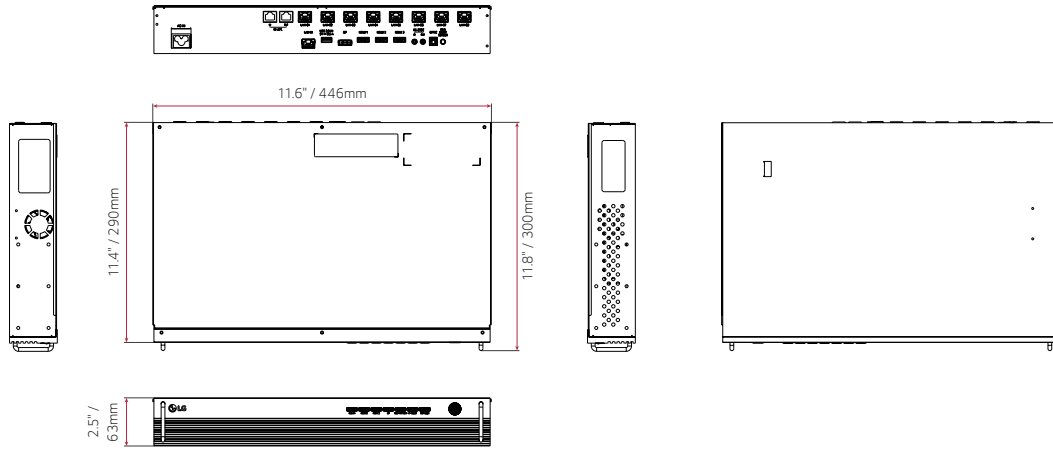
LSAB SECONDARY CABINET



* Dimensions may differ from the above image, so please contact LG sales team to verify before ordering.

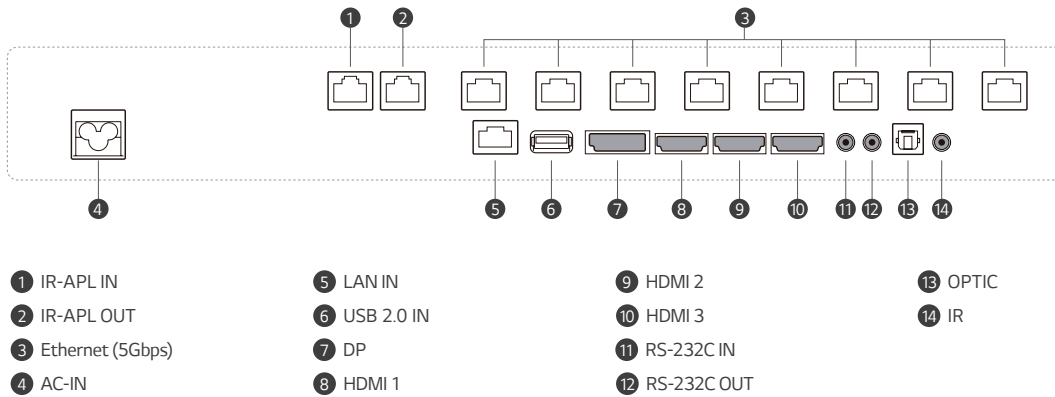
CONTROLLER DIMENSIONS

CSAB Series



CONTROLLER CONNECTIVITY

CSAB Series



* Dimensions & Jack Panels may differ from the above image, so please contact LG sales team to verify before ordering.

	LSAB007	LSAB009	LSAB012
Physical Parameters	Pixel Configuration	COB	COB
	Pixel Pitch	0.78 mm	0.94 mm
	Module Resolution (W x H)	192 x 216	320 x 120
	Module Dimensions (W x H)	5.9 x 6.6 in. / 150 x 168.8 mm	11.8 x 4.4 in. / 300 x 112.5 mm
	Weight per Module	0.4 lbs. / 0.16 kg	0.4 lbs. / 0.19 kg
	No. of Modules per Cabinet (W x H)	4 x 2	2 x 3
	Cabinet Resolution (W x H)	768 x 432	640 x 360
	Cabinet Dimensions (W x H x D)	23.6 x 13.3 x 1.8 in. 600 x 337.5 x 44.9 mm	23.6 x 13.3 x 1.8 in. 600 x 337.5 x 44.9 mm
	Cabinet Surface Area	0.203 m ²	0.203 m ²
	Weight per Cabinet	16.8 lbs. / 7.6 kg	15.4 lbs. / 7.0 kg (LSAB009-*14) 15.0 lbs. / 6.8 kg (LSAB009-*15) 15.4 lbs. / 7.0 kg (LSAB009-*16)
	Weight per Unit Area	7.7 lbs./ft. ² / 37.5 kg/m ²	7.1 lbs./ft. ² / 34.6 kg/m ² (LSAB009-*14) 6.9 lbs./ft. ² / 33.6 kg/m ² (LSAB009-*15) 7.1 lbs./ft. ² / 34.6 kg/m ² (LSAB009-*16)
	Physical Pixel Density	1,638,400 pixels/m ²	1,137,778 pixels/m ²
	Flatness of Cabinet	±0.5 mm	±0.5 mm
	Cabinet material	Die-casting Aluminum	Die-cast Aluminum (LSAB009-*14) Extruded Aluminum (LSAB009-*15) Die-cast Aluminum (LSAB009-*16)
	90 degree corner cut	No	No
	Service access	Front and Rear (Module can be accessed only from the front)	Front and Rear (Module can be accessed only from the front)
Optical Specifications	Max Brightness After Calibration	500 nits / Peak 1,000 nits	600 nits / Peak 1,200 nits
	Color Temperature (K)	3,200-9,300 / Default 7,300	3,200-9,300 / Default 7,300
	Visual Viewing Angle (Horizontal)	160°	160°
	Visual Viewing Angle (Vertical)	160°	160°
	Brightness Uniformity	95%	95%
	Color Uniformity	±0.02Cx,Cy	±0.02Cx,Cy
	Contrast Ratio	150,000:1 @10lux	100,000:1 @10lux
	Processing Depth (bit)	20 (HDR10, HDR10 Pro)	20 (HDR10, HDR10 Pro)
Electrical Specifications	Max Power Consumption per Cabinet	135 W	72 W
	Avg. Power Consumption per Cabinet	110 W	47 W
	Max Power Consumption per Unit Area	667 W/m ²	356 W/m ²
	Max Heat Dissipation per Cabinet	461 BTU/hr	246 BTU/hr
	Avg. Heat Dissipation per Cabinet	375 BTU/hr	161 BTU/hr
	Max Heat Dissipation per Unit Area	2,277 BTU/hr/m ²	1,215 BTU/hr/m ²
	Power Supply	100 to 240 Vac	100 to 240 Vac
	Refresh Rate	50 / 60 Hz	50 / 60 Hz
Operation Specifications	LED Lifetime (Half brightness)	Up to 100,000 hrs.	Up to 100,000 hrs.
	Operating Temperature	32°F to +104°F 0°C to +40°C	32°F to +104°F 0°C to +40°C
	Operating Humidity	10-80%RH	10-80%RH
	IP rating Front	IP50	IP50
	IP rating Rear	IP20	IP20
Certifications	Safety 60950-1, EMC Class B, BS476 Part7 Class2Y	Safety 60950-1, EMC Class B, BS476 Part7 Class2Y	Safety 60950-1, EMC Class B, BS476 Part7 Class1
Environment	RoHS	RoHS	RoHS
Controller	CSAB-0072	CSAB-00914 (LSAB009-*14) CSAB-00915D (LSAB009-*15) CSAB-00914 (LSAB009-*16)	CSAB-0121

1) HDR10 Pro is LG's own HDR solution to process HDR signal by using enhanced dynamic tone mapping.
 2) LDM: LED Display Module 3) PSU: Power Supply Unit 4) The availability differs by region